

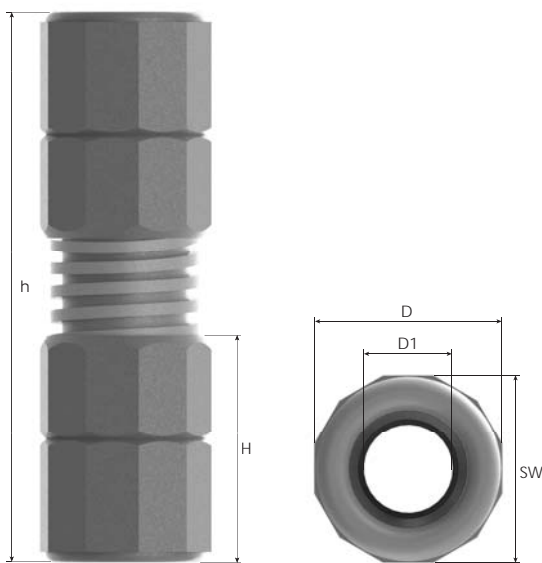
# Flexible Fittings Polyamide

### Flexible Fitting Set

- Halogen free.
- No toxic fumes when involved in a fire.
- For conduit tubes.
- For all kind of curves in electrical installations.
- Combination of two conduit unions with a flexible conduit.

### Technical Details

Material	Fitting	Polyamide 6 Halogene free
	Seal	TPE V0 Halogene free
Protection Class	IP 67	
Operating Temperature	Permanent	
	-20 °C to +80 °C	
Remarks	<ul style="list-style-type: none"> <li>• It is the combination of two conduit unions with a suitable flexible conduit.</li> <li>• It may be used for all kind of curves in the electrical installation.</li> <li>• This set can be easily fitted with the right conduits.</li> </ul>	



### Flexible Fitting Set

Size	Conduit Size	Fitting set Length h mm	Spanner Width SW Body mm	Outer Ø D mm	Inner Ø D1 mm	Height H mm	Part Number	Packing Unit
							RAL 7035 light grey	
M16	16,0	210	26	26	16,5	48,6	BRC90F-01	10
M20	20,0	240	30	31	20,4	48,0	BRC90F-02	10
M25	25,0	290	35	36	25,3	49,0	BRC90F-03	10
M32	32,0	400	42	43	32,2	49,0	BRC90F-04	10
M40	40,0	420	50	52	40,5	61,5	BRC90F-05	10
M50	50,0	440	62	63	50,5	61,5	BRC90F-06	5