

Enclosure Couplings Polyamide

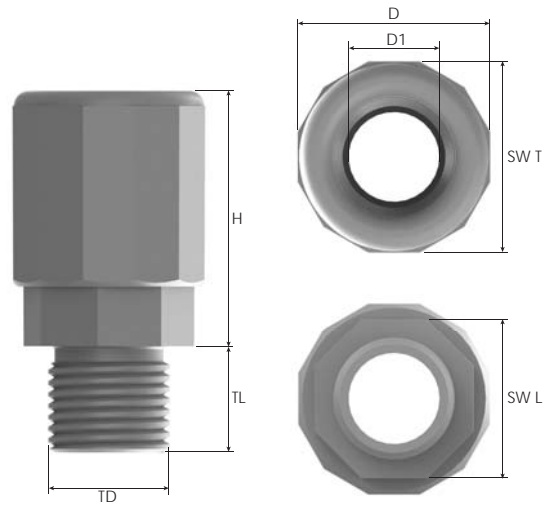


Enclosure Coupling

- Halogen free.
- No toxic fumes when involved in a fire.
- For conduit tubes.
- One side with standard metric threads and special fitting for conduit tubes on the other side.

Technical Details

Material	Fitting	Polyamide 6 Halogene free
	Seal	TPE V0 Halogene free
Protection Class	IP 67	
Operating Temperature	Permanent	
	-20 °C to +80 °C	
Thread Type	Metric, according to EN 60423 and EN 62444	
Accessories	Lock nuts	
Remarks	• We recommend the use of lock nuts to ensure IP rating for rough surfaces or through holes.	



Thread Type **METRIC** acc. to EN 60423

Size	Conduit Size	Thread Length TL mm	Thread Ø TD mm	Spanner Width		Outer Ø D mm	Inner Ø D1 mm	Height H mm	Part Number RAL 7035 light grey	Packing Unit
				SW Body T mm	SW Body L mm					
M16x1,5	16,0	14	16	26	21	26,3	16,5	34,7	BRCF-01	10
M20x1,5	20,0	14	20	30	25	31,1	20,5	34,7	BRCF-02	10
M25x1,5	25,0	14	25	35	30	36,0	25,1	34,7	BRCF-03	10
M32x1,5	32,0	14	32	42	37	43,2	32,6	34,5	BRCF-04	10
M40x1,5	40,0	19	40	50	45	51,5	40,4	42,5	BRCF-05	10
M50x1,5	50,0	19	50	62	55	63,4	50,7	42,5	BRCF-06	5