

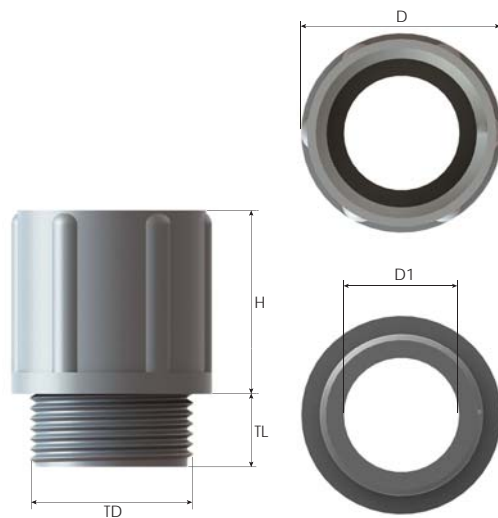
Straight Conduit Fittings Polyamide

Straight Conduit Fittings, Polyamide

- Halogen free.
- No toxic fumes when involved in a fire.
- For flexible spiral conduits.
- One side with standard metric or PG thread and special thread for conduit spiral on the other side.

Technical Details

Material	Polyamide 6 Halogene free
Protection Class	IP 54
Operating Temperature	Permanent -20 °C to +80 °C
Thread Type	Metric, according to EN 60423 PG, according to DIN 40430
Accessories	• Lock nuts
Remarks	• We recommend the use of lock nuts to ensure IP rating for rough surfaces or through holes.



Thread Type METRIC acc. to EN 60423

Size	Conduit Size	Thread Length TL mm	Thread Ø TD mm	Outer Ø D mm	Inner Ø D1 mm	Height H mm	Part Number	Packing Unit
							RAL 7035 light grey	
M16x1,5	12,0 x 15,0	8,0	16,0	18,5	10,0	21,3	BCM-01	50
M20x1,5	15,0 x 19,0	8,0	20,0	22,7	15,0	24,5	BCM-02	50
	16,0 x 21,0	9,0		24,5	13,0	25,5	BCM-03	
M25x1,5	18,0 x 22,0	10,0	25,0	26,0	18,0	25,5	BCM-04	50
M32x1,5	23,1 x 28,3	11,0	32,0	32,0	27,0	27,5	BCM-05	25
M40x1,5	31,0 x 36,4	11,0	40,0	41,0	31,8	32,5	BCM-06	10
M50x1,5	40,0 x 46,2	14,0	50,0	51,9	40,5	39,8	BCM-07	10
M63x1,5	50,5 x 57,0	14,0	63,0	61,9	51,0	43,0	BCM-08	10

Thread Type PG acc. to DIN 40430

Size	Conduit Size	Thread Length TL mm	Thread Ø TD mm	Outer Ø D mm	Inner Ø D1 mm	Height H mm	Part Number	Packing Unit
							RAL 7035 light grey	
Pg 7	10,0 x 12,8	8	12,40	21,3	16,0	7,0	BCF-01	100
Pg 9	12,0 x 15,0	8	15,00	21,3	18,5	10,0	BCF-02	50
Pg 11	15,0 x 19,0	8	18,40	24,5	22,5	13,5	BCF-03	50
Pg 13,5	16,0 x 21,0	9	20,30	25,5	24,5	14,5	BCF-04	50
Pg 16	18,0 x 22,0	10	22,40	25,5	26,0	16,0	BCF-05	25
Pg 21	23,1 x 28,3	11	28,15	27,5	32,0	21,5	BCF-06	25
Pg 29	31,0 x 36,4	11	36,80	32,5	41,0	31,8	BCF-07	10
Pg 36	40,0 x 46,2	14	46,80	39,8	52,0	41,0	BCF-08	10
Pg 48	50,5 x 57,0	14	59,15	43,0	61,9	51,5	BCF-09	10