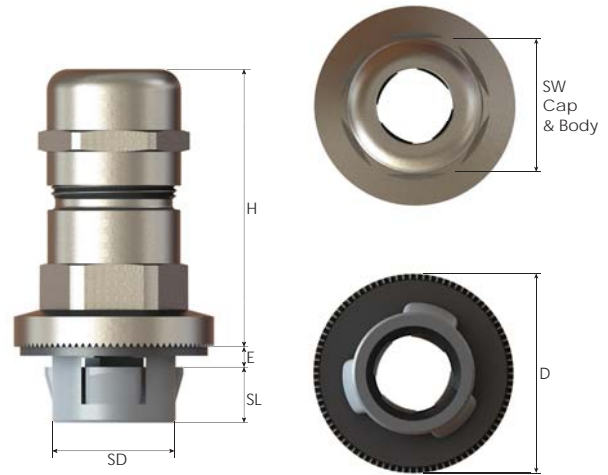
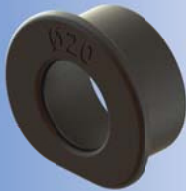


## Snap-In Glands, EMC Brass



wall thickness (E) : 0,5 - 4,0 mm

Size	Clamping Range Ø min-max mm	Shield Diameter Ø min-max mm	Snap Length SL mm	Snap Ø SD mm	Hole Ø HD mm	Spanner SW Cap mm	Width SW Body mm	Outer Ø D mm	max. Height H mm	Part Number	Packing Unit
20	6,0 - 12,0	4,5 - 10,0	9,0	19,9	20,2 - 20,6	22	22	32,3	50,5	BMEOS-E2S(T)	50



## Snap-In Gland Disassembling Tool

Size	ID Ø mm	H mm	Part Number	Packing Unit
20	20,0	13,0	BEX-20	10