

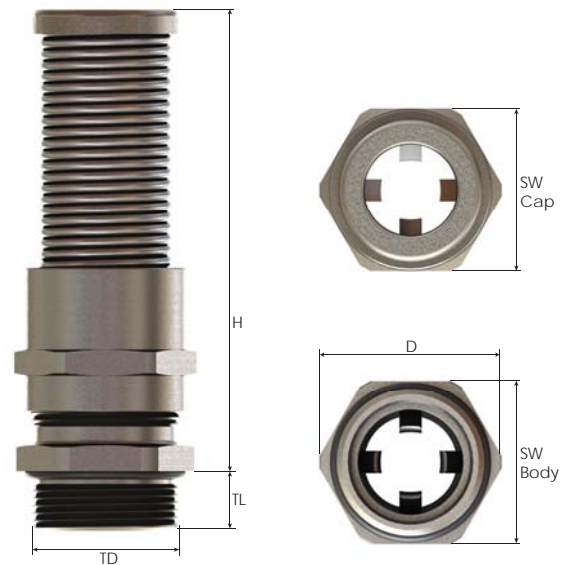
# Cable Protection Glands, EMC Brass

## EMC cable protection glands with lamellar clamping

- For cable bending protection.
- Specially designed EMC protective cable glands.
- Long-lasting contact by high definition contact spring.
- Easy assembly: install cable gland - prepare cable sheath - insert cable - tighten cap.
- High quality strain relief and sealing, reliable performance for EMC applications.

### Technical Details

Material	Body	Brass, Nickel plated	
	Cap	Brass, Nickel plated	
	Seal	CR (Chloroprene Rubber)	
	Clamping Insert	PA 6 (Polyamide 6)	
	Bending Spiral	Stainless steel (AISI 301)	
	Bending Spiral Ring	Brass, Nickel plated	
	Contact Spring	Special Copper Alloy	
O-Ring	CR (Chloroprene Rubber)		
	Protection Class	IP 68 - 5 Bar, 30 min	
Flammability	V2 according to UL94		
Operating Temperature	Permanent	-20 °C to +100 °C	Intermittent
			-40 °C to +150 °C
Thread Type	<ul style="list-style-type: none"> <li>• Metric EN 60423</li> <li>• Other thread types also available upon request.</li> </ul>		
Cable Type	Non armoured, Shielded		
Accessories	<ul style="list-style-type: none"> <li>• Lock nuts</li> <li>• Gaskets</li> </ul>		
	Remarks	<ul style="list-style-type: none"> <li>• Manufactured according to DIN EN 62444/50262.</li> <li>• We recommend the use of lock nuts and gaskets to ensure IP rating for rough surfaces or through holes.</li> </ul>	



### Thread Type METRIC acc. to EN 60423

Size	Clamping Range Ø min-max mm	Shield Diameter Ø min-max mm	Thread Length TL mm	Thread Ø TD mm	Spanner Width		Outer Ø D mm	max. Height H mm	Part Number	Packing Unit
					SW Cap mm	SW Body mm				
M16x1,5	5,0 - 10,0	3,5	7,0	16,0	20	20	22,0	74,2	BMEMSP-E1	o.r.
M20x1,5	6,0 - 12,0	4,5	8,0	20,0	22	22	24,5	66,0	BMEMSP-E2	o.r.
M25x1,5	11,0 - 17,0	9,5	8,0	25,0	27	27	30,0	74,5	BMEMSP-E3	o.r.