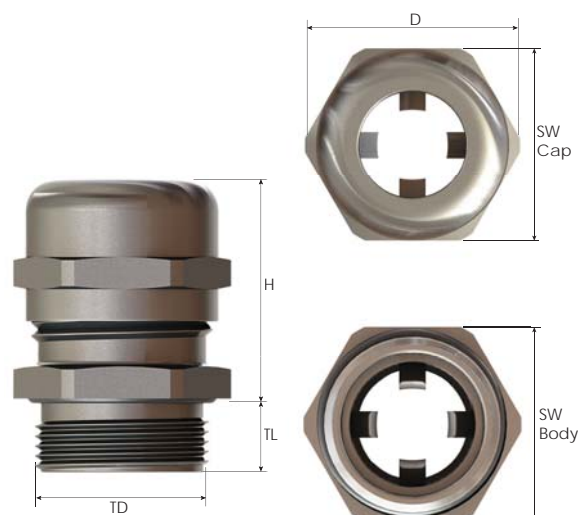


EMC 3 Cable Glands Brass



Thread Type **METRIC** acc. to EN 60423

Size	Clamping Range Ø min-max mm	Shield Diameter Ø min-max mm	Thread Length TL mm	Thread Ø TD mm	Spanner Width SW Cap mm	Spanner Width SW Body mm	Outer Ø D mm	max. Height H mm	Part Number	Packing Unit
M12x1,5	3,0 - 6,5	2,5	6,0	12,0	14	14	15,5	22,0	BMEM-ES	50
M16x1,5	5,0 - 10,0	4,0	7,0	16,0	20	20	22,0	29,0	BMEM-E1	50
M20x1,5	6,0 - 12,0	5,0	8,0	20,0	22	22	24,5	27,5	BMEM-E2	50
M25x1,5	11,0 - 17,0	9,5	8,0	25,0	27	27	30,0	30,7	BMEM-E3	25
M32x1,5	15,0 - 21,0	13,5	8,0	32,0	34	34	37,0	38,0	BMEM-E4	25
M40x1,5	19,0 - 28,0	17,0	9,0	40,0	43	43	48,5	43,0	BMEM-E5	20
M50x1,5	27,0 - 38,0	25,0	9,0	50,0	58	58	64,0	54,5	BMEM-E6	12
M63x1,5	34,0 - 44,0	31,0	14,0	63,0	64	68	75,0	57,0	BMEM-E7	12