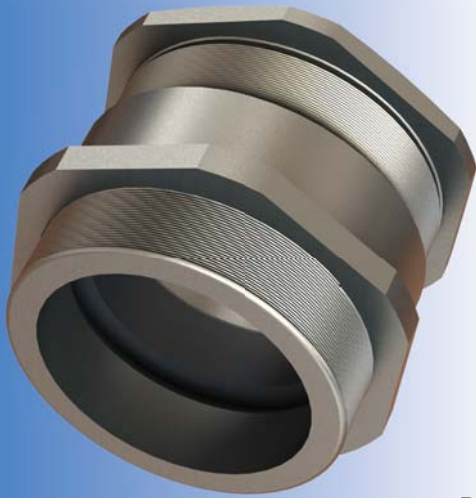


Compression Type Glands with Thread, Brass



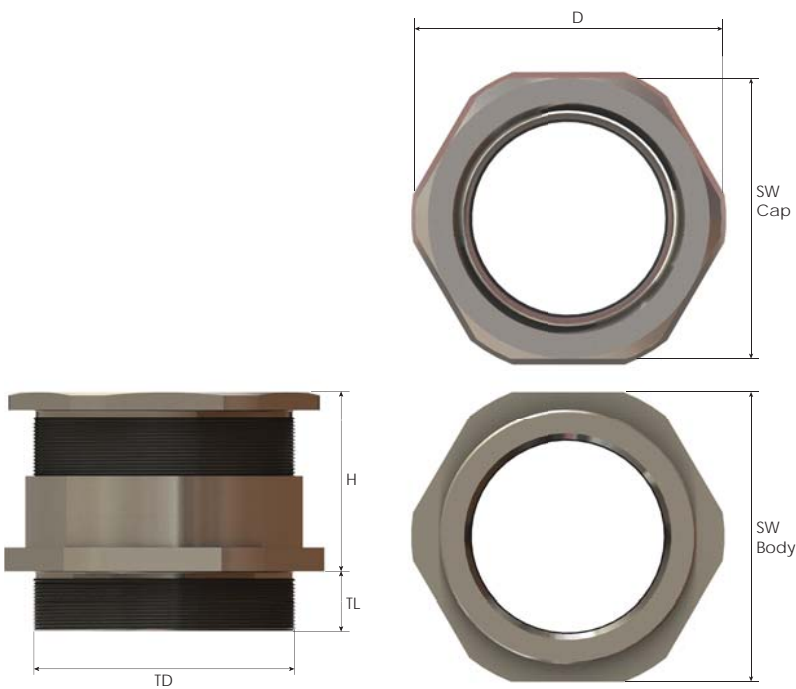
B

Cable glands for cables with large diameters

- For metal machines and housings.
- For standard industrial applications in harsh environments.
- For use of cables with large diameters.
- Easy assembly: install cable gland - insert cable - tighten cap.
- High quality strain relief and sealing, reliable performance for standard industrial applications.

Technical Details

Material	Body	Brass, Nickel plated	
	Cap	Brass, Nickel plated	
	Seal	CR (Chloroprene Rubber)	
	O-Ring	NBR	
Protection Class	IP 68 - 5 Bar, 30 min		
Flammability	V2 according to UL94		
Operating Temperature	Permanent	-20 °C to +100 °C	Intermittent
			-40 °C to +150 °C
Thread Type	<ul style="list-style-type: none"> • Metric EN 60423 • Other thread types also available upon request. 		
Cable Type	Non armoured		
Accessories	<ul style="list-style-type: none"> • Lock nuts • Gaskets 		
	Remarks	<ul style="list-style-type: none"> • We recommend the use of lock nuts and gaskets to ensure IP rating for rough surfaces or through holes. 	



Thread Type METRIC acc. to EN 60423 (Type B)

Size	Clamping Range Ø min-max mm	Thread Length TL mm	Thread Ø TD mm	Spanner Width		Outer Ø D mm	max. Height H mm	Part Number	Packing Unit
				SW Cap mm	SW Body mm				
M110x2,0	60,0 - 82,0	25,0	110,0	120	125	134,0	74,5	BDSM-13	2