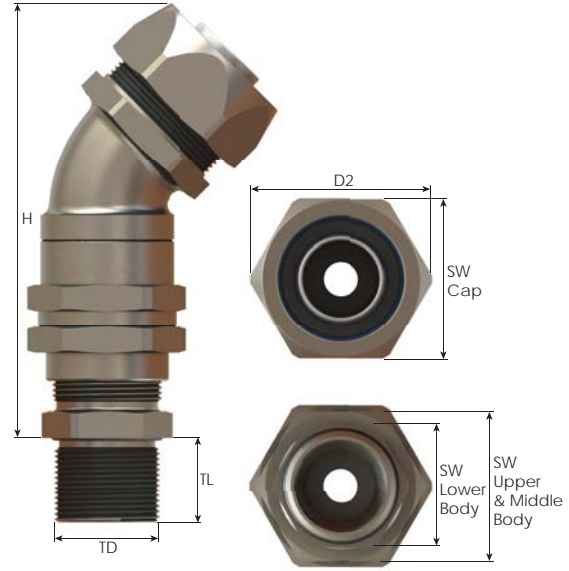


Clamping Range (D)
Sealing Combinations



E-SCORPIUS

1 Function Ex d/e Liquid Tight Conduit 45° Fittings



Hazardous Application

Thread Type **METRIC** acc. to ISO 965-3

Size	Clamping Range Ø min-max D mm	Seal Combinations			Thread Length * Ex e min. Ex d min. TL mm		Thread Ø TD mm	SW Cap mm	Spanner Width			Outer min. Ø D2 mm	max. Height H mm	Part Number
		S1 Ø mm	S2 Ø mm	S3 Ø mm	TL mm	TL mm			SW Upper Body mm	SW Middle Body mm	SW Lower Body mm			
M12x1,5	4,0 - 8,0	-	6,0 - 8,0	4,0 - 6,0	9,0	16,0	12,0	29	27	27	22	31,5	86,5	*EBLQ02M
M16x1,5	4,0 - 12,0	9,0 - 12,0	6,0 - 9,0	4,0 - 6,0	9,0	16,0	16,0	29	27	27	22	31,5	86,5	EBLQ01M
	4,0 - 10,0	9,0 - 10,0	6,0 - 9,0	4,0 - 6,0	9,0	16,0	20,0	26	22	27	22	30,0	81,0	EBLQ15M
M20x1,5	4,0 - 12,0	9,0 - 12,0	6,0 - 9,0	4,0 - 6,0	9,0	16,0	20,0	29	27	27	22	31,5	83,0	EBLQ1M
	10,0 - 18,0	14,5 - 18,0	12,0 - 14,5	10,0 - 12,0	9,0	16,0	25,0	35	33	33	28	39,0	94,5	EBLQ2M
M32x1,5	14,0 - 24,0	20,0 - 24,0	17,0 - 20,0	14,0 - 17,0	9,0	16,0	32,0	45	42	42	35	50,0	111,5	EBLQ3M
M40x1,5	22,0 - 32,0	27,0 - 32,0	24,0 - 27,0	22,0 - 24,0	9,0	18,0	40,0	54	51	51	45	60,0	131,5	EBLQ4M
M50x1,5	26,0 - 35,0	31,0 - 35,0	28,0 - 31,0	26,0 - 28,0	9,0	18,0	50,0	63	60	60	55	69,3	143,5	EBLQ5M

* Only Ex e/ Ex tb execution.

Thread Type **NPT** acc. to ANSI ASME B1.20.1

Size	Clamping Range Ø min-max D mm	Seal Combinations			Thread Length Ex d min. TL mm		Thread Ø TD mm	SW Cap mm	Spanner Width			Outer min. Ø D2 mm	max. Height H mm	Part Number
		S1 Ø mm	S2 Ø mm	S3 Ø mm	TL mm	TL mm			SW Upper Body mm	SW Middle Body mm	SW Lower Body mm			
NPT 1/4"	4,0 - 8,0	-	6,0 - 8,0	4,0 - 6,0	16,0	13,7	13,7	29	27	27	22	31,5	86,5	*EBLQ02N
NPT 3/8"	4,0 - 12,0	9,0 - 12,0	6,0 - 9,0	4,0 - 6,0	16,0	17,1	17,1	29	27	27	22	31,5	86,5	EBLQ01N
	4,0 - 10,0	9,0 - 10,0	6,0 - 9,0	4,0 - 6,0	16,0	21,3	21,3	26	22	27	22	30,0	81,0	EBLQ15N
NPT 1/2"	4,0 - 12,0	9,0 - 12,0	6,0 - 9,0	4,0 - 6,0	16,0	21,3	21,3	29	27	27	22	31,5	83,0	EBLQ1N
	10,0 - 18,0	14,5 - 18,0	12,0 - 14,5	10,0 - 12,0	16,0	26,6	26,6	35	33	33	28	39,0	94,0	EBLQ2N
NPT 1"	14,0 - 24,0	20,0 - 24,0	17,0 - 20,0	14,0 - 17,0	20,0	33,4	33,4	45	42	42	35	50,0	111,5	EBLQ3N
NPT 1 1/4"	22,0 - 32,0	27,0 - 32,0	24,0 - 27,0	22,0 - 24,0	20,0	42,1	42,1	54	51	51	45	60,0	131,5	EBLQ4N
NPT 1 1/2"	26,0 - 35,0	31,0 - 35,0	28,0 - 31,0	26,0 - 28,0	20,0	48,2	48,2	63	60	60	55	69,3	143,5	EBLQ5N

* Only Ex e/ Ex tb execution.