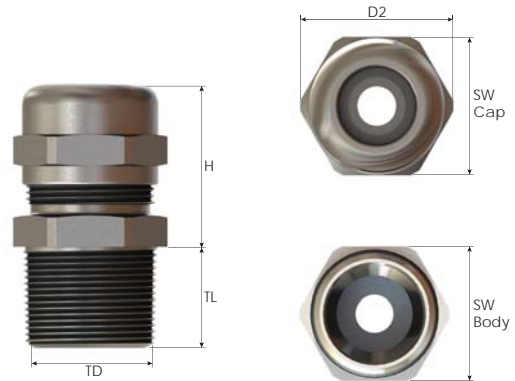


Clamping Range (D)
Sealing Combinations



E-OCTANS 1 Function Ex d/e Glands



Hazardous Application

Thread Type NPT acc. to ANSI ASME B1.20.1											
Size	Clamping Range Ø min-max D mm	Seal Combinations			Thread Length Ex d min. TL mm	Thread Ø TD mm	Spanner Width		Outer min. Ø D2 mm	max. Height H mm	Part Number
		S1 Ø mm	S2 Ø mm	S3 Ø mm			SW Cap mm	SW Body mm			
NPT 1/4"	4,0 - 8,0	-	6,0 - 8,0	4,0 - 6,0	16,0	13,7	22	22	24,0	30,5	*EBU0SN
	3,0 - 8,0	6,0 - 8,0	3,0 - 6,0	-			20	20	22,0	27,0	*EBU0N
NPT 3/8"	3,0 - 9,0	6,0 - 9,0	3,0 - 6,0	-	16,0	17,1	20	20	22,0	27,0	EBU01SN
	4,0 - 12,0	9,0 - 12,0	6,0 - 9,0	4,0 - 6,0			22	22	24,0	30,5	EBU01N
NPT 1/2"	3,0 - 9,0	6,0 - 9,0	3,0 - 6,0	-	16,0	21,3	20	22	24,0	27,0	EBU1SN
	4,0 - 12,0	9,0 - 12,0	6,0 - 9,0	4,0 - 6,0			22		24,0	27,0	EBU1N
	10,0 - 16,0	14,5 - 16,0	12,0 - 14,5	10,0 - 12,0			28	28	31,0	30,0	EBU12N
NPT 3/4"	4,0 - 12,0	9,0 - 12,0	6,0 - 9,0	4,0 - 6,0	16,0	26,7	22	28	31,0	27,0	EBU2SN
	10,0 - 18,0	14,5 - 18,0	12,0 - 14,5	10,0 - 12,0			28		31,0	30,0	EBU2N
	14,0 - 20,0	-	17,0 - 20,0	14,0 - 17,0			35	35	39,0	33,0	EBU23N
NPT 1"	10,0 - 18,0	14,5 - 18,0	12,0 - 14,5	10,0 - 12,0	20,0	33,4	28	35	39,0	31,0	EBU3SN
	14,0 - 24,0	20,0 - 24,0	17,0 - 20,0	14,0 - 17,0			35		39,0	33,0	EBU3N
	22,0 - 26,0	-	24,0 - 26,0	22,0 - 24,0			45	45	50,0	40,0	EBU34N
NPT 1 1/4"	14,0 - 24,0	20,0 - 24,0	17,0 - 20,0	14,0 - 17,0	20,0	42,2	35	45	50,0	33,0	EBU4SN
	22,0 - 32,0	27,0 - 32,0	24,0 - 27,0	22,0 - 24,0			45		50,0	40,5	EBU4N
	26,0 - 34,0	31,0 - 34,0	28,0 - 31,0	26,0 - 28,0			50	50	55,5	43,5	EBU4SN
NPT 1 1/2"	22,0 - 32,0	27,0 - 32,0	24,0 - 27,0	22,0 - 24,0	20,0	48,3	45	55	61,0	42,5	EBU5SN
	26,0 - 35,0	31,0 - 35,0	28,0 - 31,0	26,0 - 28,0			50		61,0	43,5	EBU5N
	35,0 - 41,0	-	38,0 - 41,0	35,0 - 38,0			64	64	70,0	42,0	EBU56N
NPT 2"	26,0 - 35,0	31,0 - 35,0	28,0 - 31,0	26,0 - 28,0	20,0	60,3	50	68	75,0	41,5	EBU6SN
	35,0 - 45,0	41,0 - 45,0	38,0 - 41,0	35,0 - 38,0			64		75,0	43,5	EBU6N
	46,0 - 52,0	-	48,0 - 52,0	46,0 - 48,0			80	75	89,0	52,0	EBU67N
NPT 2 1/2"	35,0 - 45,0	41,0 - 45,0	38,0 - 41,0	35,0 - 38,0	21,0	73,0	64	80	89,0	45,5	EBU7SN
	46,0 - 62,0	56,0 - 62,0	51,0 - 56,0	46,0 - 51,0			80		89,0	52,0	EBU7N
	60,0 - 64,0	-	-	60,0 - 64,0			95	95	105,0	55,0	EBU78N
NPT 3"	46,0 - 62,0	56,0 - 62,0	51,0 - 56,0	46,0 - 51,0	21,0	88,9	80	95	105,0	52,0	EBU8SN
	60,0 - 75,0	70,0 - 75,0	65,0 - 70,0	60,0 - 65,0			95		105,0	55,0	EBU8N
	75,0 - 79,5	-	78,0 - 79,5	75,0 - 78,0			105	105	117,0	55,0	EBU810N
NPT 4"	60,0 - 75,0	70,0 - 75,0	65,0 - 70,0	60,0 - 65,0	21,0	114,3	95	115	128,0	55,0	EBU108N
	75,0 - 85,0	81,0 - 85,0	78,0 - 81,0	75,0 - 78,0			105		115	128,0	55,0
	85,0 - 95,0	91,0 - 95,0	88,0 - 91,0	85,0 - 88,0			115	128,0	128,0	56,0	EBU11N
	95,0 - 101,0	-	98,0 - 101,0	95,0 - 98,0			130	130	145,0	62,5	EBU115N
NPT 5"	95,0 - 105,0	101,0 - 105,0	98,0 - 101,0	95,0 - 98,0	27,0	141,3	130	145	162,0	62,5	EBU13N
	105,0 - 115,0	111,0 - 115,0	108,0 - 111,0	105,0 - 108,0			140		145	162,0	65,5

* Only Ex e IIC Gb / Ex tb IIIC Db