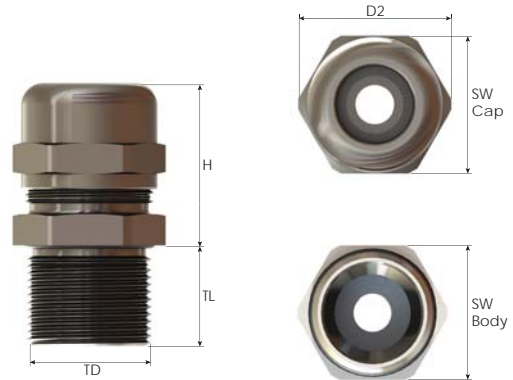


Clamping Range (D)
Sealing Combinations



E-OCTANS

1 Function Ex d/e Glands



Hazardous Application

Thread Type METRIC acc. to ISO 965-3													
Size	Clamping Range Ø min-max D mm	Seal Combinations			Thread Length		Thread Ø TD mm	Spanner Width		Outer min. Ø D2 mm	max. Height H mm	Part Number	
		S1 Ø mm	S2 Ø mm	S3 Ø mm	** Ex e min. TL mm	Ex d min. mm		SW Cap mm	SW Body mm				
M8x1,25	2,0 - 4,0	2,0 - 4,0	-	-	5,0	5,0	8,0	11	11	12,0	15,5	*EBU0XSM	
M12x1,5	4,0 - 8,0	-	6,0 - 8,0	4,0 - 6,0	9,0	16,0	12,0	22	22	24,0	30,5	*EBU0SM	
	3,0 - 8,0	6,0 - 8,0	3,0 - 6,0	-				20	20	22,0	27,0	*EBU0M	
M16x1,5	3,0 - 9,0	6,0 - 9,0	3,0 - 6,0	-	9,0	16,0	16,0	20	20	22,0	27,0	EBU01SM	
	4,0 - 12,0	9,0 - 12,0	6,0 - 9,0	4,0 - 6,0				22	22	24,0	31,0	EBU01M	
M20x1,5	3,0 - 9,0	6,0 - 9,0	3,0 - 6,0	-	9,0	16,0	20,0	20	22	24,0	27,0	EBU1SM	
	4,0 - 12,0	9,0 - 12,0	6,0 - 9,0	4,0 - 6,0				22				22	24,0
	10,0 - 16,0	14,5 - 16,0	12,0 - 14,5	10,0 - 12,0				28	28	31,0	30,0	EBU12M	
M25x1,5	4,0 - 12,0	9,0 - 12,0	6,0 - 9,0	4,0 - 6,0	9,0	16,0	25,0	22	28	31,0	27,0	EBU2SM	
	10,0 - 18,0	14,5 - 18,0	12,0 - 14,5	10,0 - 12,0				28				28	31,0
	14,0 - 20,0	-	17,0 - 20,0	14,0 - 17,0				35	35	39,0	34,0	EBU23M	
M32x1,5	10,0 - 18,0	14,5 - 18,0	12,0 - 14,5	10,0 - 12,0	9,0	16,0	32,0	28	35	39,0	31,5	EBU3SM	
	14,0 - 24,0	20,0 - 24,0	17,0 - 20,0	14,0 - 17,0				35				35	39,0
	22,0 - 28,0	27,0 - 28,0	24,0 - 27,0	22,0 - 24,0				45	45	50,0	41,0	EBU34M	
M40x1,5	14,0 - 24,0	20,0 - 24,0	17,0 - 20,0	14,0 - 17,0	9,0	18,0	40,0	35	45	50,0	33,0	EBU4SM	
	22,0 - 32,0	27,0 - 32,0	24,0 - 27,0	22,0 - 24,0				45				45	50,0
	26,0 - 34,0	31,0 - 34,0	28,0 - 31,0	26,0 - 28,0				50	50	55,5	44,0	EBU45M	
M50x1,5	22,0 - 32,0	27,0 - 32,0	24,0 - 27,0	22,0 - 24,0	9,0	18,0	50,0	45	55	61,0	43,0	EBU5SM	
	26,0 - 35,0	31,0 - 35,0	28,0 - 31,0	26,0 - 28,0				50				55	61,0
	35,0 - 44,0	41,0 - 44,0	38,0 - 41,0	35,0 - 38,0				64	64	70,0	43,0	EBU56M	
M63x1,5	26,0 - 35,0	31,0 - 35,0	28,0 - 31,0	26,0 - 28,0	9,0	18,0	63,0	50	68	75,0	42,0	EBU6SM	
	35,0 - 45,0	41,0 - 45,0	38,0 - 41,0	35,0 - 38,0				64				68	75,0
	46,0 - 56,0	52,0 - 56,0	48,0 - 52,0	46,0 - 48,0				80	75	89,0	52,5	EBU67M	
M75x1,5	35,0 - 45,0	41,0 - 45,0	38,0 - 41,0	35,0 - 38,0	9,0	20,0	75,0	64	80	89,0	45,0	EBU7SM	
	46,0 - 62,0	56,0 - 62,0	51,0 - 56,0	46,0 - 51,0				80				80	89,0
	60,0 - 69,0	-	65,0 - 69,0	60,0 - 65,0				95	95	105,0	55,0	EBU78M	
M90x1,5	46,0 - 62,0	56,0 - 62,0	51,0 - 56,0	46,0 - 51,0	9,0	20,0	90,0	80	95	105,0	52,0	EBU8SM	
	60,0 - 75,0	70,0 - 75,0	65,0 - 70,0	60,0 - 65,0				95				95	105,0
	75,0 - 82,0	81,0 - 82,0	78,0 - 81,0	75,0 - 78,0				105	105	117,0	55,0	EBU810M	
M100x1,5	60,0 - 75,0	70,0 - 75,0	65,0 - 70,0	60,0 - 65,0	9,0	20,0	100,0	95	105	117,0	55,0	EBU10SM	
	75,0 - 85,0	81,0 - 85,0	78,0 - 81,0	75,0 - 78,0				105				105	117,0
M110x1,5	85,0 - 95,0	91,0 - 95,0	88,0 - 91,0	85,0 - 88,0	9,0	20,0	110,0	115	115	128,0	57,0	EBU11M	
	75,0 - 85,0	81,0 - 85,0	78,0 - 81,0	75,0 - 78,0				105				105	117,0
M115x2,0	85,0 - 95,0	91,0 - 95,0	88,0 - 91,0	85,0 - 88,0	9,0	24,0	115,0	115	130	145,0	59,0	EBU115SM	
	95,0 - 105,0	101,0 - 105,0	98,0 - 101,0	95,0 - 98,0				130				130	145,0
M130x2,0	105,0 - 115,0	111,0 - 115,0	108,0 - 111,0	105,108,0	9,0	24,0	130,0	140	140	156,0	65,5	EBU13M	

* Only Ex e IIC Gb / Ex tb IIIC Db