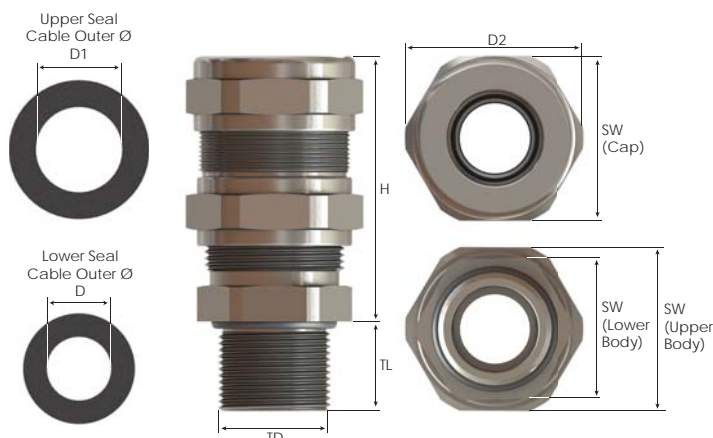


ORION

4 Function Ex d/e Glands



Thread Type METRIC acc. to ISO 965-3											
Size	Clamping Range Ø min-max		Armour Wire Ø mm	Thread Length TL mm	Thread Ø TD mm	Spanner Width			Outer min. Ø D2 mm	max. Height H mm	Part Number
	D mm	D1 mm				SW Cap mm	SW Upper Body mm	SW Lower Body mm			
M16x1.5	3,0 - 8,5	6,0 - 12,0	1,2	16,0	16,0	22,0	26,0	26,0	29,0	47,5	KBA01SM
	6,0 - 12,0	8,5 - 16,0				25,0	29,0	29,0	31,5	50,0	KBA01M
M20x1.5	3,0 - 8,5	6,0 - 12,0	1,2	16,0	20,0	24,0	26,0	26,0	29,0	47,5	KBA1SM
	6,0 - 12,0	8,5 - 16,0				25,0	29,0	29,0	31,5	49,0	KBA1M
	8,5 - 14,5	12,0 - 20,0	1,3			28,0	30,0	32,0	35,0	56,4	KBA1MLT*
	12,0 - 14,5	16,0 - 20,0				52,0	KBA1LM				
M25x1.5	3,0 - 8,5	6,0 - 12,0	1,2	16,0	25,0	29,0	26,0	26,0	29,0	47,5	KBA2XSM
	6,0 - 12,0	8,5 - 16,0		18,0		29,0	29,0	29,0	31,5	50,5	KBA2SM
	8,5 - 14,5	12,0 - 16,0	1,3	16,0		29,0	30,0	32,0	35,0	56,4	KBA2XMMLT*
	12,0 - 16,0	16,0 - 21,0		32,0		34,0	34,0	37,0	54,5	KBA2M	
	8,5 - 16,0	12,0 - 21,0		59,5		KBA2MLT*					
	12,0 - 20,0	16,0 - 26,0		36,0		40,0	40,0	44,0	60,5	KBA2LM	
M32x1.5	6,0 - 12,0	8,5 - 16,0	1,6	18,0	32,0	36,0	29,0	29,0	31,5	50,5	KBA3XSM
	12,0 - 20,0	16,0 - 26,0	1,2			40,0	40,0	40,0	44,0	62,0	KBA3SM
	8,5 - 16,0	12,0 - 21,0	1,3			36,0	34,0	34,0	37,0	59,5	KBA3XMMLT*
	15,0 - 26,0	20,0 - 33,0	1,6			48,0	52,0	52,0	57,0	78,5	KBA3M
	12,0 - 20,0	16,0 - 26,0	1,6			45,0	40,0	40,0	44,0	62,0	KBA4XSM
M40x1.5	15,0 - 26,0	20,0 - 33,0	1,8	18,0	40,0	48,0	52,0	52,0	57,0	78,5	KBA4SM
	20,0 - 32,0	29,0 - 41,0	1,6			55,0	60,0	60,0	66,0	89,5	KBA4M
	15,0 - 26,0	20,0 - 33,0	1,8			54,0	52,0	52,0	57,0	78,4	KBA5XSM
M50x1.5	20,0 - 32,0	29,0 - 41,0	2,2	18,0	50,0	55,0	60,0	60,0	66,0	89,9	KBA5XMM
	22,0 - 35,0	33,0 - 48,0	1,8			60,0	70,0	75,0	82,0	96,5	KBA5SM
	27,0 - 41,0	36,0 - 52,0	2,2			70,0		74,0	83,0	100,0	KBA5M
	22,0 - 35,0	33,0 - 48,0	2,7			18,0	63,0	68,0	70,0	75,0	82,0
27,0 - 41,0	36,0 - 52,0	20,0		70,0	74,0	83,0	100,0	KBA6XMM			
35,0 - 45,0	43,0 - 57,0	75,0		80,0	80,0	89,5	106,0	KBA6SM			
M75x1.5	40,0 - 52,0	47,0 - 60,0	3,0	20,0	75,0	85,0	85,0	85,0	94,0	108,0	KBA6M
	35,0 - 45,0	43,0 - 57,0				80,0	80,0	89,5	106,0	KBA7XSM	
	40,0 - 52,0	47,0 - 60,0				85,0	85,0	94,0	108,0	KBA7SM	
	45,0 - 60,0	54,0 - 70,0				90,0	95,0	100,0	110,5	125,0	KBA7M
M90x1.5	40,0 - 52,0	47,0 - 60,0	3,0	20,0	90,0	100,0	85,0	85,0	94,0	108,0	KBA8XSM
	45,0 - 60,0	54,0 - 70,0				95,0	95,0	100,0	110,5	124,0	KBA8SM
	60,0 - 72,0	63,0 - 80,0				110,0	115,0	115,0	127,0	154,0	KBA8M
	45,0 - 60,0	54,0 - 70,0				120,0	95,0	100,0	110,5	124,0	KBA10SM
M110x1.5	60,072,0	63,0 - 80,0	3,5	20,0	110,0		115,0	115,0	127,0	154,0	KBA10M