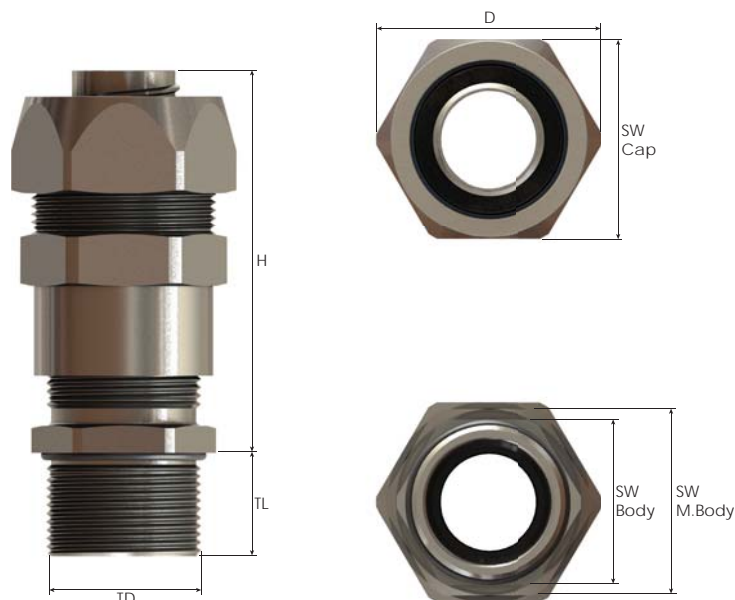


Liquid Tight Cable Hose Fittings (Male), Brass



Thread Type METRIC acc. to EN 60423

Size	Clamping Range Ø min-max mm	For Sealtite Nominal Size inch	Max. Internal Ø mm	Thread Length TL mm	Thread Ø TD mm	SW Cap mm	Spanner Width SW M. Body mm	SW Body mm	Outer Ø D mm	max. Height H mm	Part Number	Packing Unit
M16x1,5	4,0 - 8,0	5/16"	8,3	12,0	16,0	26,0	24,0	18,0	29,0	47,0	BBFM-02(S) CH	50
		3/8"	10,2								BBFM-02 CH	
M20x1,5	6,0 - 12,0	3/8"	10,2	12,0	20,0	26,0	24,0	22,0	29,0	47,0	BBFM-03(S) CH	25
		1/2"	13,5								BBFM-03 CH	
M25x1,5	13,0 - 18,0	3/4"	18,5	12,0	25,0	29,0	33,0	30,0	38,7	61,5	BBFM-04 CH	25
M32x1,5	18,0 - 23,5	1"	23,5	15,0	32,0	35,0	43,0	40,0	50,0	73,0	BBFM-05 CH	25
M40x1,5	22,0 - 31,5	1 1/4"	31,8	15,0	40,0	45,0	52,0	50,0	58,3	86,5	BBFM-06 CH	10

Thread Type PG acc. to DIN 40430

Size	Clamping Range Ø min-max mm	For Sealtite Nominal Size inch	Max. Internal Ø mm	Thread Length TL mm	Thread Ø TD mm	SW Cap mm	Spanner Width SW M. Body mm	SW Body mm	Outer Ø D mm	max. Height H mm	Part Number	Packing Unit
Pg 9	4,0 - 8,0	5/16"	8,3	12,0	15,2	26,0	24,0	17,0	29,0	47,0	BBFB-02(S) CH	50
		3/8"	10,2								BBFB-02 CH	
Pg 11	5,0 - 10,0	3/8"	10,2	15,0	18,6	26,0	24,0	20,0	29,0	47,0	BBFB-03 CH	50
Pg 13,5	6,0 - 10,0	3/8"	10,2	15,0	20,4	26,0	24,0	22,0	29,0	47,0	BBFB-04 CH	25
Pg 16	10,0 - 14,0	1/2"	13,5	15,0	22,5	29,0	27,0	24,0	32,7	51,5	BBFB-05 CH	25
Pg 21	13,0 - 18,0	3/4"	18,5	15,0	28,3	35,0	33,0	30,0	38,7	56,5	BBFB-06 CH	25
Pg 29	18,0 - 25,0	1"	23,5	15,0	37,0	45,0	43,0	40,0	50,0	67,5	BBFB-07 CH	10