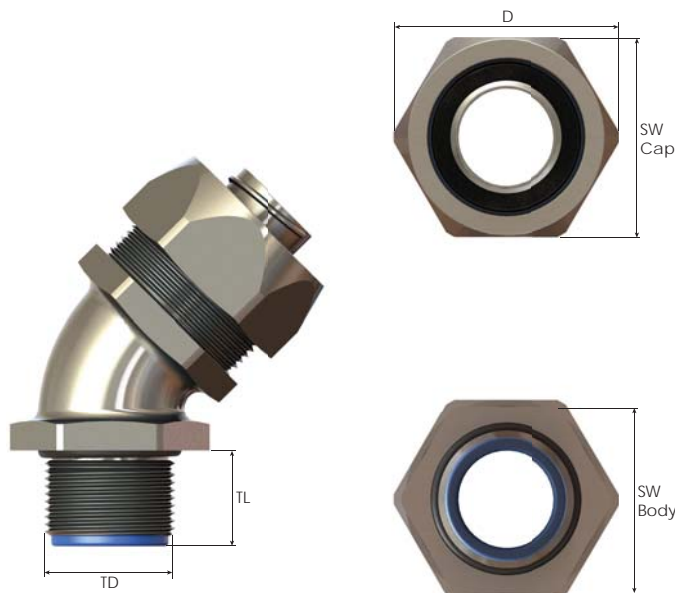


Liquid Tight Conduit Fittings 45°, Brass



Thread Type METRIC acc. to EN 60423

Size	For Sealtite Nominal Size inch	Max. Internal Ø mm	Thread Length TL mm	Thread Ø TD mm	Spanner Width		Outer Ø D mm	Part Number	Packing Unit
					SW Cap mm	SW Body mm			
M16x1,5	5/16"	8,3	11,5	16,0	26,0	22,0	29,0	BBFM-02(S) 45	50
	3/8"	10,2						BBFM-02 45	
M20x1,5	3/8"	10,2	13,0	20,0	26,0	22,0	29,0	BBFM-03(S) 45	50
	1/2"	13,5						BBFM-03 45	
M25x1,5	3/4"	18,5	15,0	25,0	35,0	33,0	38,7	BBFM-04 45	25
M32x1,5	1"	23,5	15,0	32,0	45,0	42,0	50,0	BBFM-05 45	10
M40x1,5	1 1/4"	31,8	16,0	40,0	54,0	51,0	60,0	BBFM-06 45	5
M50x1,5	1 1/2"	36,8	18,0	50,0	63,0	60,0	69,3	BBFM-07 45	5
M63x1,5	2"	47,8	20,0	63,0	77,0	74,0	85,0	BBFM-08 45	4

Thread Type PG acc. to DIN 40430

Size	For Sealtite Nominal Size inch	Max. Internal Ø mm	Thread Length TL mm	Thread Ø TD mm	Spanner Width		Outer Ø D mm	Part Number	Packing Unit
					SW Cap mm	SW Body mm			
Pg 11	5/16"	8,3	11,5	18,6	26,0	22,0	29,0	BBFB-03(S) 45	50
	3/8"	10,2						BBFB-03 45	
Pg 13,5	3/8"	10,2	11,5	20,4	26,0	22,0	29,0	BBFB-04 45	50
Pg 16	1/2"	13,5	13,0	22,5	29,0	27,0	32,7	BBFB-05 45	50
Pg 21	3/4"	18,5	15,0	28,3	35,0	33,0	38,7	BBFB-06 45	25
Pg 29	1"	23,5	15,0	37,0	45,0	42,0	50,0	BBFB-07 45	10
Pg 36	1 1/4"	31,8	16,0	47,0	54,0	51,0	60,0	BBFB-08 45	5
Pg 42	1 1/2"	36,8	18,0	54,0	63,0	60,0	69,3	BBFB-09 45	5
Pg 48	2"	47,8	20,0	59,3	77,0	74,0	85,0	BBFB-10 45	4

Thread Type NPT acc. to ANSI B1.20.1

Size	For Sealtite Nominal Size inch	Max. Internal Ø mm	Thread Length TL mm	Thread Ø TD mm	Spanner Width		Outer Ø D mm	Part Number	Packing Unit
					SW Cap mm	SW Body mm			
Npt 1/2"	3/8"	10,2	13,0	21,3	26,0	22,0	29,0	BBFN-02(S) 45	50
	1/2"	13,5						BBFN-02 45	
Npt 3/4"	3/4"	18,5	15,0	26,7	35,0	33,0	38,7	BBFN-03 45	25
Npt 1"	1"	23,5	15,0	33,4	45,0	42,0	50,0	BBFN-04 45	10
Npt 1 1/4"	1 1/4"	31,8	16,0	42,2	54,0	51,0	60,0	BBFN-05 45	5
Npt 1 1/2"	1 1/2"	36,8	18,0	48,3	63,0	60,0	69,3	BBFN-06 45	5
Npt 2"	2"	47,8	20,0	60,3	77,0	74,0	85,0	BBFN-07 45	4