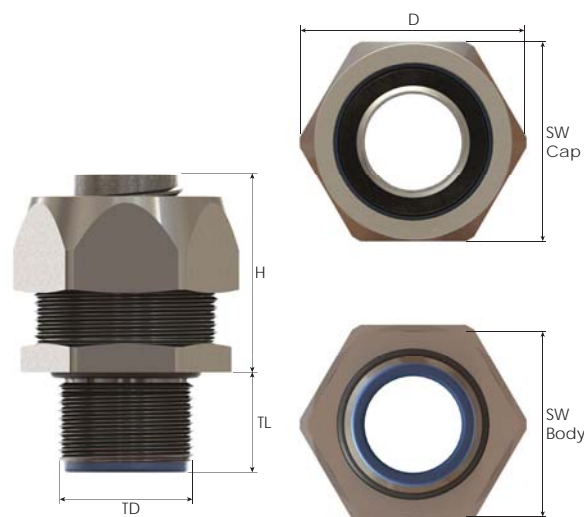


Liquid Tight Conduit Fittings Straight (Male), Brass



Thread Type METRIC acc. to EN 60423

Size	For Sealtite Nominal Size inch	Max. Internal Ø mm	Thread Length TL mm	Thread Ø TD mm	Spanner Width SW Cap mm	Spanner Width SW Body mm	Outer Ø D mm	max. Height H mm	Part Number	Packing Unit
M12x1,5	1/4"	5,2	10,0	12,0	22,0	20,0	24,5	21,0	BBFM-01	50
M16x1,5	5/16"	8,3	11,5	16,0	26,0	24,0	29,0	23,5	BBFM-02(S)	50
	3/8"	10,2						23,0	BBFM-02	
M20x1,5	3/8"	10,2	13,0	20,0	26,0	24,0	29,0	23,5	BBFM-03(S)	50
	1/2"	13,5						24,5	BBFM-03	
M25x1,5	3/4"	18,5	15,0	25,0	35,0	33,0	38,7	24,5	BBFM-04	25
M32x1,5	1"	23,5	15,0	32,0	45,0	43,0	50,0	32,0	BBFM-05	10
M40x1,5	1 1/4"	31,8	16,0	40,0	54,0	52,0	60,0	36,5	BBFM-06	5
M50x1,5	1 1/2"	36,8	18,0	50,0	63,0	60,0	69,3	38,5	BBFM-07	5
M63x1,5	2"	47,8	20,0	63,0	77,0	74,0	85,0	45,0	BBFM-08	4

Thread Type PG acc. to DIN 40430

Size	For Sealtite Nominal Size inch	Max. Internal Ø mm	Thread Length TL mm	Thread Ø TD mm	Spanner Width SW Cap mm	Spanner Width SW Body mm	Outer Ø D mm	max. Height H mm	Part Number	Packing Unit
Pg 7	1/4"	5,2	10,0	12,5	22,0	20,0	24,5	20,5	BBFB-01	50
Pg 9	1/4"	5,2	10,0	15,2	22,0	20,0	24,5	20,5	BBFB-02	50
	5/16"	8,3	BBFB-02(A)							
	3/8"	10,2	BBFB-02(B)							
Pg 11	3/8"	10,2	11,5	18,6	26,0	24,0	29,0	23,5	BBFB-03	25
Pg 13,5	3/8"	10,2	11,5	20,4	26,0	24,0	29,0	23,5	BBFB-04	10
Pg 16	1/2"	13,5	13,0	22,5	29,0	27,0	32,7	24,0	BBFB-05	5
Pg 21	3/4"	18,5	15,0	28,3	35,0	33,0	38,7	24,5	BBFB-06	5
Pg 29	1"	23,5	15,0	37,0	45,0	43,0	50,0	32,0	BBFB-07	4
Pg 36	1 1/4"	31,8	16,0	47,0	54,0	52,0	60,0	36,5	BBFB-08	4
Pg 42	1 1/2"	36,8	18,0	54,0	63,0	60,0	69,3	39,0	BBFB-09	2
Pg 48	2"	47,8	20,0	59,3	77,0	74,0	85,0	44,5	BBFB-10	2

Thread Type NPT acc. to ANSI B1.20.1

Size	For Sealtite Nominal Size inch	Max. Internal Ø mm	Thread Length TL mm	Thread Ø TD mm	Spanner Width SW Cap mm	Spanner Width SW Body mm	Outer Ø D mm	max. Height H mm	Part Number	Packing Unit
Npt 1/4"	1/4"	5,2	10,0	13,7	22,0	20,0	24,5	20,5	BBFN-05	50
Npt 3/8"	3/8"	10,2	10,0	17,1	22,0	20,0	24,5	23,5	BBFN-01(S)	50
			11,5		26,0	24,0	29,0		BBFN-01	
Npt 1/2"	3/8"	10,2	13,0	21,3	26,0	24,0	29,0	23,5	BBFN-02(S)	25
					29,0	27,0	32,7	24,0	BBFN-02	
Npt 3/4"	3/4"	18,5	15,0	26,7	35,0	33,0	38,7	24,5	BBFN-03	5
Npt 1"	1"	23,5	15,0	33,4	45,0	43,0	50,0	31,5	BBFN-04	5
Npt 1 1/4"	1 1/4"	31,8	16,0	42,2	54,0	52,0	60,0	37,0	BBFN-05	4
Npt 1 1/2"	1 1/2"	36,8	18,0	48,3	63,0	60,0	69,3	38,5	BBFN-06	2
Npt 2"	2"	47,8	20,0	60,3	77,0	74,0	85,0	45,5	BBFN-07	2