

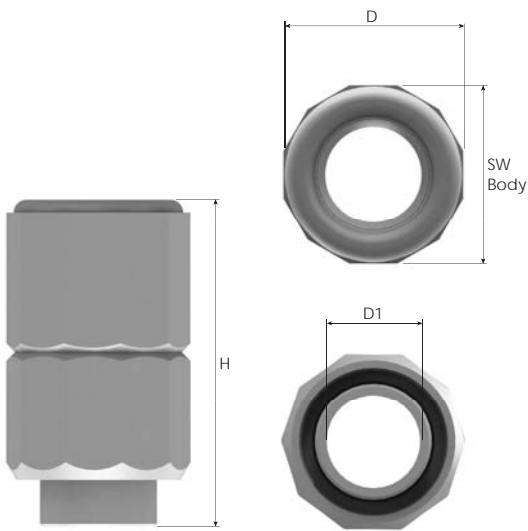
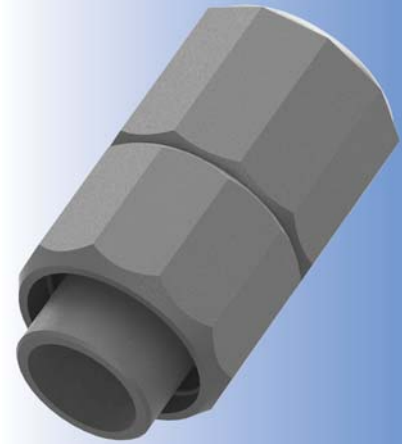
Conduit Union Polyamide

Conduit Union

- Halogen free.
- No toxic fumes when involved in a fire.
- For connecting flexible conduits with conduit tubes.

Technical Details

Material	Fitting	Polyamide 6 Halogene free
	Seal	TPE V0 Halogene free
Protection Class	IP 67	
Operating Temperature	Permanent -20 °C to +80 °C	



Conduit Union

Size	Conduit Size	Spanner Width SW Body mm	Outer Ø D mm	Inner Ø D1 mm	Height H mm	Part Number	Packing Unit
						RAL 7035 light grey	
M16	16,5	26	26	12,0	49,0	BRCM-01	10
M20	20,4	30	31	16,0	49,0	BRCM-02	10
M25	25,3	35	36	20,5	49,0	BRCM-03	10
M32	32,3	42	43	26,0	49,0	BRCM-04	10
M40	40,4	50	52	33,5	61,5	BRCM-05	10
M50	50,5	62	63	44,0	61,5	BRCM-06	5